

### Office Lighting Stripe Luminaire Series



#### Features

- No UV light radiation
- Full range of white colors available
- Ra>75 for white color
- High luminosity output
- Long lifetime>35000 hours(L<sub>70</sub>)

#### Typical Applications

- Indoor Lighting
- Architectural Lighting
- Agricultural Lighting

**Coding of Part Number:**

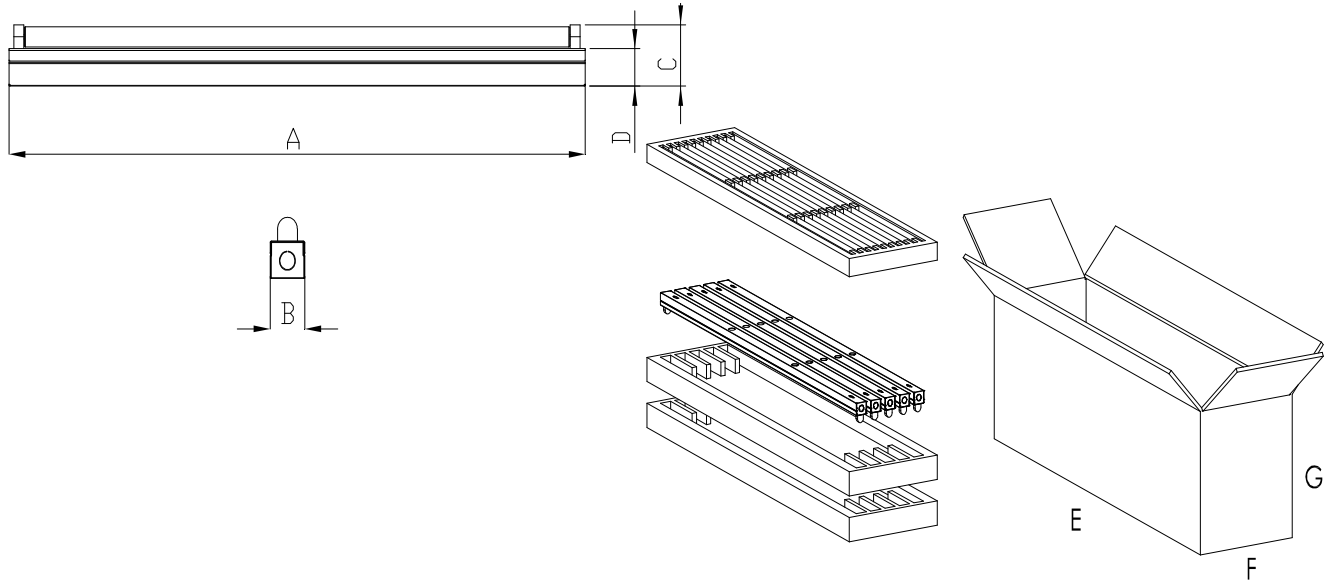
**OL – Stripe / ML2 / P11**

1                    2                    3                    4

<u>1. Product series</u>	<u>4. Estimated Power Consumption</u>
OL: Office Lighting	P11: 11W (For ML2 only)
<u>2. Luminaire Type</u>	P17: 17W (For ML3 only)
Stripe: Cobra simple fixture series	P23: 23W (For ML4 only)
<u>3. Suitable Lighting Source</u>	
ML2: 10w T5 Cobra x1	
ML3: 15w T5 Cobra x1	
ML4: 20w T5 Cobra x1	

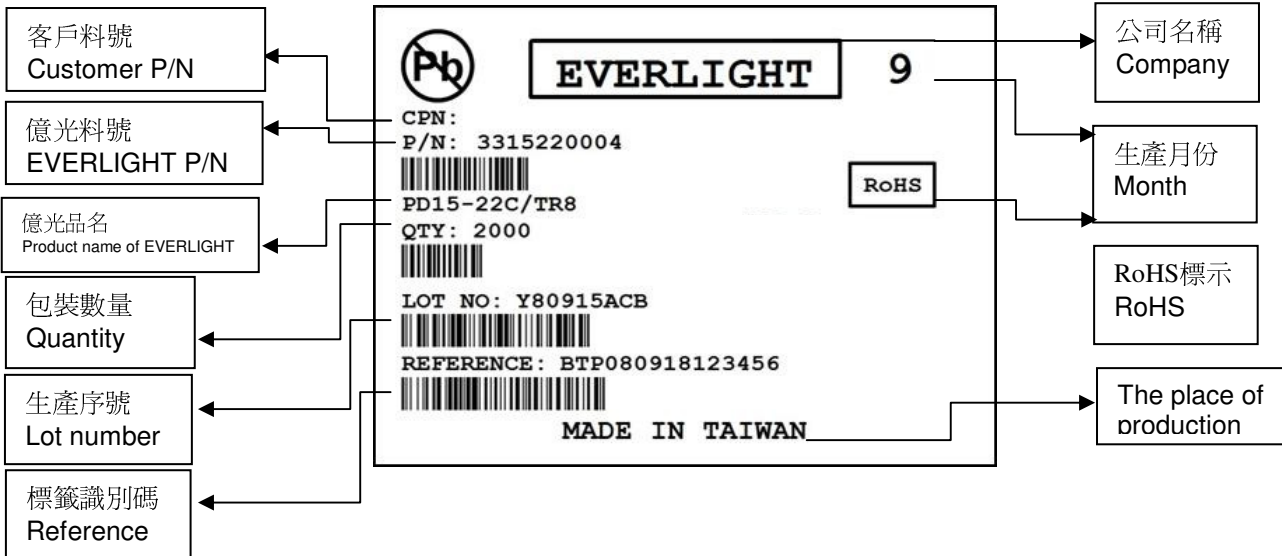
Parameter	Description
<b>Suggested Light Source</b>	Everlight Cobra Module
<b>Operation Temperature</b>	-20°C ~+40°C
<b>Storage Temperature</b>	-20°C ~+60°C
<b>Power Input</b>	100~240 VAC Input
<b>Estimated Power Consumption</b>	11 Watt For ML2 17 Watt For ML3, 23 Watt For ML4
<b>Power Supplier</b>	AC to DC power source
<b>Power Factor</b>	100V AC/60Hz, PF>0.9 230V AC/50Hz, PF>0.9

**Packaging Dimension and Weight**

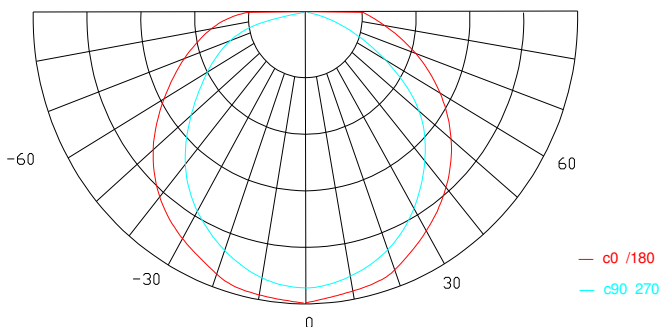


	ML2		ML3		ML4	
	<b>Lamp Size (L, mm)</b>	A	580	A	879	A
B		35	B	35	B	35
C		52	C	52	C	52
D		31	D	31	D	31
<b>Lamp Weight(Kg)</b>	0.8		1		1.2	
<b>Package Size (mm)</b>	E	635	E	935	E	1235
	F	321	F	321	F	321
	G	190	G	190	G	190
<b>Products per Carton</b>	10		10		10	
<b>Total Weight (Kg)</b>	10		13		15	

**Label Explanation**



**Characteristic Intensity Distribution Curve**



The intensity distribution curves measured by goniophotometer with suggested Everlight LED T5 light tubes for light sources.

**Illumination Lux Output\***

OL-Stripe-ML2**	HF				LF			
	3000K	4000K	5000K	6000K	3000K	4000K	5000K	6000K
Lux @ 1m	190	230	250	250	220	260	280	280
Lux @ 2m	70	80	90	90	80	90	100	100

\*The values are measured by the TES 1336A lux meter. The above values are rounded and are for reference only. The margin of error in lux meter : 5%.

\*\*The value of lux measured with OL-Stripe/ML2 luminaire and place in one SL-Cobra/T5 LED tube.

## Application Notes

To ensure optimal performance of the OL-Stripe series Office Lighting, operation within parameters of this datasheet and understanding of the internal components is crucial.

### LED T5 Tube

The light source of the OL-Stripe series is suggested the Everlight LED T5 Cobra light tube. This LED light tube is **DC DRIVEN ONLY** and the power input should be **48VDC**. Driving the Everlight LED T5 Cobra light tube with AC power input may be hazardous and result in failure. The Everlight LED T5 Cobra in the OL-Stripe can only be replaced by an equivalent Everlight LED T5 Cobra. This will greatly reduce the possibility of incompatible light sources that may be hazardous and result in failure.

When installing the Everlight LED T5 Cobra, please ensure that pins are properly placed within the socket and turned a full 90°. This will ensure optimal light output and performance.

The lens of the Everlight LED T5 Cobra is composed of standard polycarbonate material. Unnecessary pressure or bending of the lens may result in puncturing or cracking the surface. Please handle with care.

Although the Everlight LED T5 Cobra is fitted with an aluminum heat sink, proper airflow will ensure optimal performance and lifetime.

### Power Supply

The power supply is an AC to DC power transfer device rated at 12.5 W and 25.4 W that has the capability to deliver an output of 48 VDC with a standard rated current of 0.24A and 0.48A. The input is rated at 100-240VAC 50/60Hz with a range capability of up to 90-264VAC 47-63Hz. The current max achievable is 0.26 A and 0.53 A. Two pins each are reserved for both input and output power of the power supply. Please see the diagram below for pin configuration of the PSU.

### Pin Layout

Section	Pin	Description
Conn1	L	Input
	N	Input
Conn2	V-	Gnd
	V+	Output

